

# POWERWORKERS

Electric 24 Volt Walkie Straddle  
Electric 24 Volt Walkie Reach

CS15  
CS20  
CSP15

3000 lbs 1365 kg  
4000 lbs 1815 kg  
3000 lbs 1365 kg

**CS**15/20  
**CSP**15



w w w . c l a r k m h c . c o m

General Information	1	Manufacturer		Clark	Clark	Clark	
	2	Model	Manufacturer's Designation	CS 15	CS 20	CSP 15	
	3	Load capacity	lbs(kg)	3000 (1365)	4000 (1815)	3000 (1365)	
	4	Load center	Fork face to load CG	in(mm)	24 (600)	24 (600)	24 (600)
	5	Drive Unit	Type		24 volt	24 volt	24 volt
	6	Operator Type		Hand, pedestrian	Hand, pedestrian	Hand, pedestrian	
	7	Tire Type	Front / rear		Poly / Poly	Poly / Poly	Poly / Poly
	8	Wheels (x=driven)	Front / rear		4 / 1x	4 / 1x	4 / 1x
Dimensions	9	Upright	Maximum fork height, full capacity	in(mm)	160 (4064)	150 (43810)	118 (2997)
	10		Lift height	in(mm)	130 (3302)	130 (3302)	130 (3302)
	11		Free lift	in(mm)	7 (178)	7 (178)	4 (102)
	12	Tilt, back/forward	Standard upright	degrees	-	-	6 / 2
	14	Forks	Standard fork size (TxWxL)	in(mm)	1.75x4x42 (44x100x1067)	1.75x4x42 (44x100x1067)	1.75x4x42 (44x100x1067)
	15	Overall dimensions	Length to fork face	in(mm)	47.5 (1205)	47.5 (1205)	50.5 (1283)
	16		Outrigger I.D., adjustable	in(mm)	36-50 (915-1270)	36-50 (915-1270)	36-50 (915-1270)
	17		Height, upright lowered	in(mm)	83 (2108)	83 (2108)	83 (2108)
	18		Height, upright extended (incl. LBR)	in(mm)	178 (4521)	178 (4521)	178 (4521)
	19	Turning Radius		in(mm)	67.75 (1720)	67.75 (1720)	67.75 (1720)
Performance	22	Right angle stack aisle	Add 8 in. for operating clearance	in(mm)	90 (2286)	90 (2286)	93 (2362)
	23	Stability	According to ANSI		Yes	Yes	Yes
	24	Travel Speeds	With load	mph(kph)	2.2 (3.5)	2.1 (3.4)	2.2 (3.5)
			Without load	mph(kph)	3.5 (5.6)	3.5 (5.6)	3.5 (5.6)
	25	Lift speeds	With load	fpm(ms)	25 (0.13)	20 (0.10)	25 (0.13)
			Without load	fpm(ms)	45 (0.23)	45 (0.23)	45 (0.23)
	Lower Speed	With load	fpm(ms)	43 (0.22)	26 (0.13)	43 (0.22)	
		Without load	fpm(ms)	31 (0.16)	31 (0.16)	31 (0.16)	
wt	30	Service Weight	Including battery	lbs(kg)	2685 (1220)	2685 (1220)	3135 (1425)
Chassis	32	Tires	Number, front/rear		4 /1	4 /1	4 /1
	33		Size, front	in(mm)	4x3 (100x75)	4x3 (100x75)	4x3 (100x75)
	34		Size, rear	in(mm)	10x4 (255x100)	10x4 (255x100)	10x4 (255x100)
	35	Wheelbase		in(mm)	59.2 (1500)	59.2 (1500)	59.2 (1500)
	39	Brakes	Service		Wet Disc	Wet Disc	Wet Disc
	40		parking		Spring applied	Spring applied	Spring applied
Drive Line		Steering			Pivot arm	Pivot arm	Pivot arm
	41	Battery	Type		Lead acid	Lead acid	Lead acid
	42		Max. capacity	kWh	12.2	12.2	12.2
	43		Weight, minimum	lbs(kg)	900 (409)	900 (409)	900 (409)
	44	Motors, Controls	Drive motors, dia.	in(mm)	6 (152)	6 (152)	6 (152)
	45		Hydraulic motors, dia.	in(mm)	4.75 (121)	4.75 (121)	4.75 (121)
		Drive motor control			Solid state	Solid state	Solid state
	Speed control			Infinitely variable	Infinitely variable	Infinitely variable	
	Hydraulic motor control			Solenoid	Solenoid	Solenoid	

Notes: 1 Specifications are shown for CS/CSP with 900 lbs. (410 kg) industrial battery and 130 in. (3302 mm) upright.

## Upright Table

	Maximum Fork Height		Overall Height Lowered		Free Lift	
	in	mm	in	mm	in	mm
<b>Single Stage</b>	63	1600	78	1981	30*	1600
<b>Two Stage</b>	118	2997	78	1981	8	203
	130	3302	83	2108	8	203
	130	3302	83	2108	35**	890
	150	3810	93	2362	8	203
<b>Triple Stage</b>	160	4064	78	1981	8	203
	172	4368	83	2108	35**	890

\* w/LBR; w/o LBR freelifit is 58"  
 \*\* w/LBR; w/o LBR freelifit is 63"

## Battery Compartment Dimensions

For Industrial Battery					
Width (W)		Length (L)		Height (H)	
in	mm	in	mm	in	mm

<b>CS15/20 &amp; CSP15</b>					
32	810	13.25	355	Open	Open

## Notes

Clark products and specifications are subject to change without notice.

© Clark Material Handling Company 2005.

## Minimum Right Angle Stack Aisle\*

Pallet or Load Size	Length (L) x Width (W)	Minimum Aisle Requirement	
		CS	CSP
48 x 40	/ 1219 x 1016	90 / 2286	93 / 2362
48 x 48	/ 1219 x 1219	90 / 2286	93 / 2362

\*Based on 5 in. (127 mm) side clearance per side. Add an extra 8 in. (205mm) for ease of operation.

## Performance

Performances are for trucks with 900 lb. (410 kg) industrial battery. Performance may vary +5% or -10% due to motor, tire, drive unit and hydraulic efficiency tolerances and battery weight.

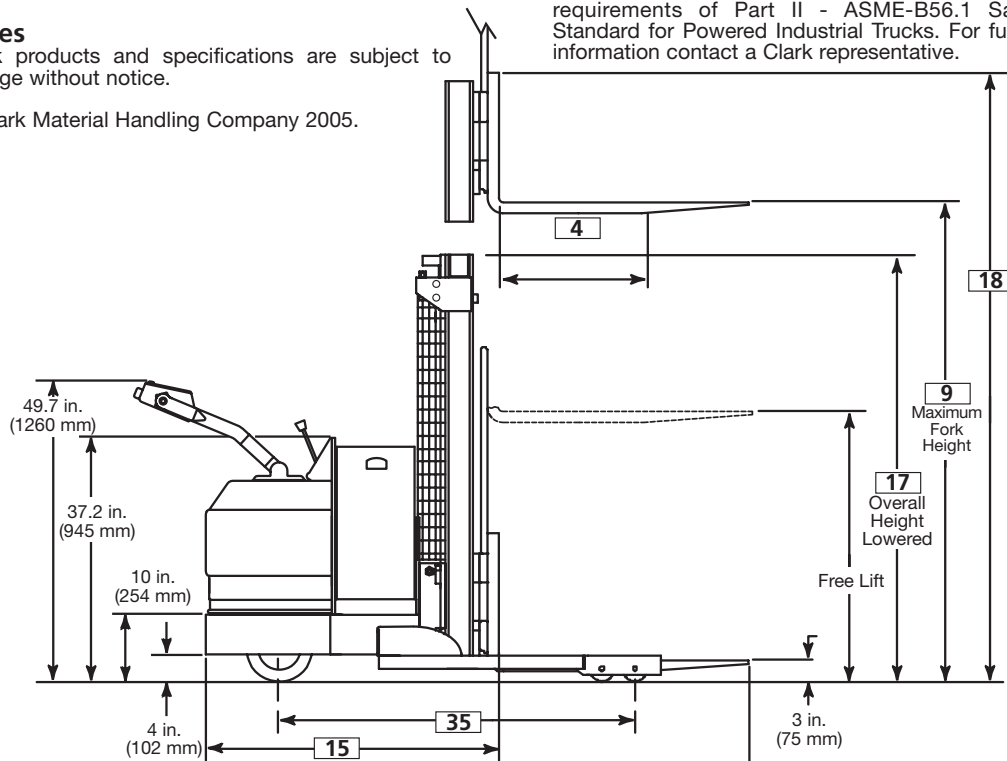
## Truck Capacity

Load centers are determined from top and front face of forks. Capacities are based on a 48 in. (1219 mm) cube load configuration with the center of gravity at the center of the cube and standard forks.

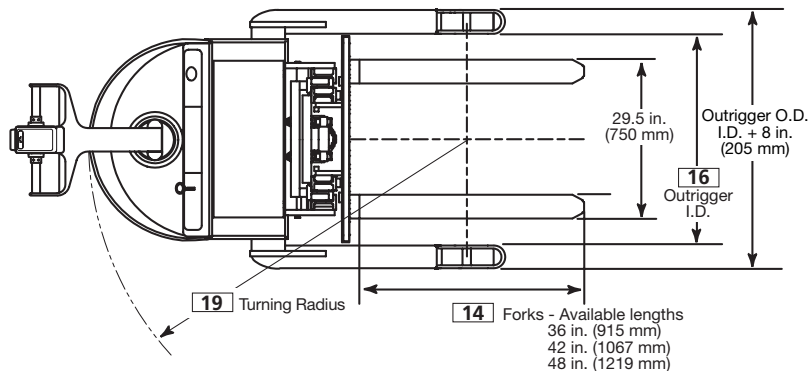
Specific capacities are shown on truck nameplates.

## ASME and Insurance Classification

Standard truck meets all applicable mandatory requirements of Part II - ASME-B56.1 Safety Standard for Powered Industrial Trucks. For further information contact a Clark representative.



## CS15/20 - CSP15



The Clark CS walkie straddle and CSP walkie reach trucks are well suited to storeroom and warehouse areas. The CS is typically used in areas with uniform load sizes while the CSP can easily handle loads of various sizes. Both units are capable of operating in narrow aisles and their low cost and reliability make them ideal supplements to rider type equipment.

### Control Handle

- Ergonomic design with dual forward/reverse travel controls for thumb or twist operation
- Reversing switch at the end of the handle is spring loaded and designed to override the directional control, automatically reversing the truck on contact
- Brake is actuated by positioning the handle up or down and is automatically applied when handle is released. When the brake is activated, power to the drive unit is cut off

### Electrical System

- 24 volt
- Key switch
- Emergency power disconnect button
- Fused drive and control circuits
- High torque drive motor is series wound, fan cooled and has class "H" insulation for maximum protection from heat damage
- Heavy duty motor contactors with replaceable tips

### Drive Line

- Sealed gear reducer/brake system with internal multi-disc brakes in oil bath eliminates conventional brake problems such as adjustments, drum and/or shoe replacement
- All gear and brake components protected from exposure to moisture and dirt, packaging, strapping, etc
- All gears are precision ground helical type
- Drive axle mounted on precision-tapered roller bearings

### Solid State Speed Controller

- Solid state speed controller with solid state throttle mechanism.
- Smooth, stepless acceleration
- Controller programmable to allow custom speed and acceleration settings
- Allows battery efficiency and usage to increase by up to 50% over resistor-controlled units
- Smooth, controlled plugging
- Diagnostic test and fault information

### Hydraulic System

- Heavy duty motor, gear pump, check and relief valves
- Lift and lower functions feature manual lever controls for load feathering capabilities

### Chassis/Outriggers

- Bolt-on upright allows truck to be upgraded if application requirements change.
- Outriggers are adjustable to suit changing pallet sizes. This feature also greatly enhances trade-in value
- Open battery compartment allows for side or top battery removal

### Upright, Forks and Carriage

- Heavy duty, nested I-beam upright design
- 42" (1070 mm) forged forks
- ITA Class II hook type mounting carriage
- Lateral thrust carriage rollers reduce effects of off-center loading
- Dual leaf style lifting chains with 5:1 safety factor
- 48" (1219 mm) high load backrest
- Safety screening protects operator from lifting mechanism and provides maintenance-free visibility
- CSP reach mechanism provides 24.5 in. (625 mm) stroke and 2° forward, 6° back fork tilt

### Wheels and Tires

- Press-on 10" x 4" (255 x 100 mm) easy steer polyurethane drive tire
- Taper-mounted drive tire hub design for fast easy servicing
- Tandem 4" x 3" (100 x 75 mm) polyurethane load wheels

### Available Equipment

- 36" and 48" (915 and 1220 mm) long forged forks
- Hour meter
- Hour meter/discharge indicator
- Hour meter/discharge indicator/lift lockout
- UL EE rating (CS only)

### For Your Safety

- Do not operate motorized hand trucks unless you are trained and authorized. Read and understand the operator's manual before operating.
- Do not operate a damaged or faulty truck. Do not attempt repairs unless you are trained and authorized.
- Keep hands on designated grips and feet away from truck. Do not operate truck with wet or greasy hands or shoes.
- Enter confined areas with load end first. Be very careful when operating in confined areas to avoid being pinned.
- Avoid uneven or slippery surfaces and loose materials.
- Travel slowly and with caution on slopes and do not turn. Always travel with load end down grade.
- Do not load truck over capacity on nameplate.
- Do not handle unstable loads. Be very careful when handling long, high, or wide loads.
- Do not exceed floor weight limits.
- Do not climb or ride on mast or forks.
- Do not allow anyone to stand under raised forks or load.

Contact your Clark dealer for operator training information.

**North America CMHC**  
 700 Enterprise Drive  
 Lexington, KY 40510  
 866-252-5275  
 www.clarkmhc.com

your authorized CLARK dealer is: